



## PLATE MOUNTED AXIAL FLOW FLAMEPROOF FANS

### HDB / HDT Series



Range of **plate mounted axial flameproof fans**.  
 Mounting plate manufactured from galvanised sheet steel fitted with an internal aluminium ring and motor support manufactured from heavy gauge aluminium sheet. The whole assembly is protected by aluminium paint finish B-0920. Impellers manufactured from one piece die-cast aluminium with aerofoil profile fixed blades and finished in a high temperature paint coating (red colour).  
 Available, depending upon the model, with single or three phase motors in 4, 6 or 8 poles.

#### Motors

All motors are IP55, Class F insulation.  
 All motors incorporate ball bearings greased for life.  
 Electrical supplies:  
 Single phase 230V-50Hz.  
 Three phase 230/400V-50Hz.

**Flame proof axial flow fans in accordance to ATEX Directive.**

**Working temperatures up to 40°C.**

**Standard single phase motors:**

⊕ II2G EExd IIBT3, T4 or T5.

**Standard three phase motors:**

⊕ II2G EExd IIBT3 or T5.

**On request, motors:**

⊕ EExd ICT4.

⊕ II3D Ex tD 125°C or 135°C.

#### Additional Information

Standard air direction: form (A) configuration (Motor over Impeller).

For the single phase motors, the capacitor is provided not fitted on the fan. It must be installed outside of the ATEX area or within an electrical main board complying with ATEX Directive.

#### On request

Air direction: form (B) configuration (Impeller over Motor) only for 450 and 560 models.

### A P P L I C A T I O N S



Warehouses



Painting Installations



Iron and steel industries Foundries



Chemical industry Laboratories



Battery rooms

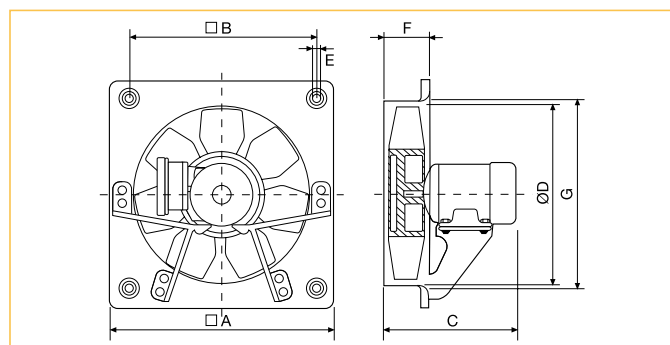


## ■ Technical characteristics

Before making any electrical connection ensure that the voltage and frequency of the mains electrical supply matches that of the fan data plate label.

Model	Motor versions		Speed (r.p.m.)	Motor power (kW)	Maximum absorbed current (A)		Max. air volume (m <sup>3</sup> /h)	Sound pressure level (dB(A))	Weight (Kg)
	IIB	IIC			230 V	400 V			
<b>SINGLE PHASE</b>									
HDB/4-315	IIBT4	IICT4	1300	0,12	0,9	–	2240	56	11
HDB/4-355	IIBT5	IICT4	1310	0,18	1,14	–	3120	60	12
HDB/4-400	IIBT4	-	1320	0,37	1,9	–	4780	65	15
HDB/4-450	IIBT4	-	1340	0,55	2,8	–	8000	66	21
HDB/6-355	IIBT4	IICT3	920	0,12	1,02	–	2100	52	12
HDB/6-450	IIBT4	-	900	0,25	1,8	–	5300	58	17
HDB/6-560	IIBT4	-	920	0,75	3,3	–	9300	65	30
<b>THREE PHASE</b>									
HDT/4-315	IIBT5	IICT4	1330	0,12	0,90	0,52	2240	56	9,5
HDT/4-355	IIBT5	IICT4	1340	0,18	1,14	0,66	3120	60	11
HDT/6-355	IIBT3	IICT4	950	0,12	1,02	0,59	2100	52	11
HDT/4-400	IIBT5	IICT4	1370	0,37	1,90	1,10	4780	65	15
HDT/6-400	IIBT5	IICT4	900	0,15	1,13	0,65	3140	56	15
HDT/4-450	IIBT5	IICT4	1380	0,55	2,60	1,50	8000	66	20
HDT/6-450	IIBT5	IICT4	900	0,25	1,73	1,00	5300	58	16
HDT/8-450	IIBT5	IICT4	670	0,11	1,07	0,62	4100	52	16
HDT/4-560	IIBT5	IICT4	1390	1,10	5,02	2,90	13700	73	29
HDT/6-560	IIBT5	IICT4	920	0,75	3,11	1,80	9300	65	29
HDT/8-560	IIBT5	IICT4	680	0,26	1,77	1,02	7250	59	20

## ■ Dimensions (mm)



Model	A	B	C			Ø D	E	F	Ø G
			Number of poles						
			/4	/6	/8				
HDT/315	400	330	323	–	–	315	10	85	329
HDT/355	450	380	325	325	–	355	10	87	371
HDT/400	500	420	336	336	–	400	10	90	422
HDT/450	560	480	360	349	349	450	10	106	476
HDT/560	710	630	435	435	368	560	10	112	596

## ■ Mounting accessories



MODEL	Exhaust Side Louvre Shutters ATEX version
HDB/HDT-315	PER-315 Ex
HDB/HDT-355	PER-355 Ex
HDB/HDT-400	PER-400 Ex
HDB/HDT-450	PER-450 Ex
HDB/HDT-560	PER-560 Ex

For more information see **MOUNTING ACCESSORIES**.

## ■ Performance curves

- Q = Air volume in, m<sup>3</sup>/hr and m<sup>3</sup>/s.
- Ps = Static pressure in mmWG and Pa.
- Dry air at 20°C and 760 mmHg.
- Performance data in accordance with ISO 5801 and AMCA 210-99 Standards.

